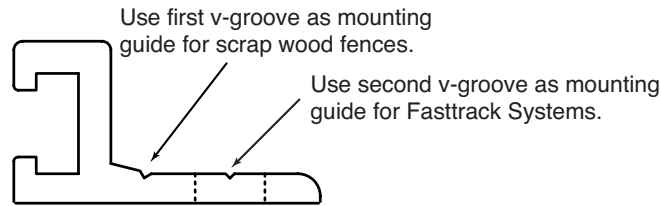


T-Loc Installation

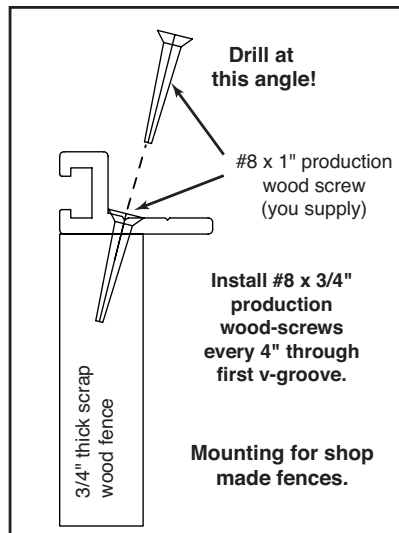
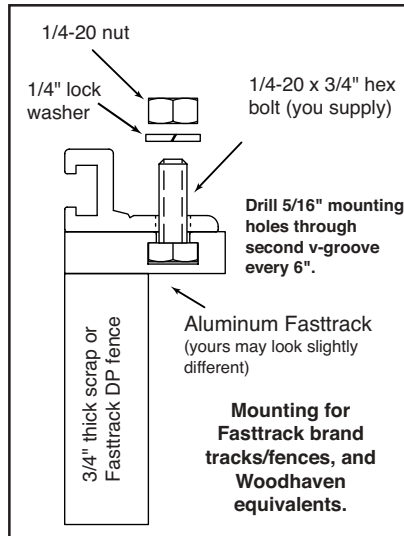
T-Loc cross section



Note: To mount T-Loc you will need to drill holes as noted, and provide the proper mounting hardware.

Mount T-Loc

Mount T-Loc to your fence. T-Loc should be mounted flush with the bearing surface of your fence. You must supply your own hardware.



Safety Warning!

Always follow basic safety precautions to reduce the risk of fire, electric shock, and personal injury. Protect your eyes and hearing with proper protection. Be sure your router is OFF before plugging it in. When using T-Loc, ensure that all hardware is fastened securely. Keep your hands away from the router bit at all times.

Bench Dog, Inc.
1500 Jackson Street N.E.
Dock Number 4
Minneapolis, MN 55413
612.782.8205 main
612.788.2518 fax
800.786.8902 toll free
benchdog@benchdog.com
www.benchdog.com



© Bench Dog, Inc. 2001.